

इंटरनेट

मानक

Disclosure to Promote the Right To Information

Whereas the Parliament of India has set out to provide a practical regime of right to information for citizens to secure access to information under the control of public authorities, in order to promote transparency and accountability in the working of every public authority, and whereas the attached publication of the Bureau of Indian Standards is of particular interest to the public, particularly disadvantaged communities and those engaged in the pursuit of education and knowledge, the attached public safety standard is made available to promote the timely dissemination of this information in an accurate manner to the public.

“जानने का अधिकार, जीने का अधिकार”

Mazdoor Kisan Shakti Sangathan

“The Right to Information, The Right to Live”

“पुराने को छोड़ नये के तरफ”

Jawaharlal Nehru

“Step Out From the Old to the New”

IS 13984-5-1 (1995): link and test connectors, Part 5: Cord Plug, Section 1: Polarized [LITD 3: Electromechanical Components and Mechanical Structures for Electronic Equipment]



“ज्ञान से एक नये भारत का निर्माण”

Satyanarayan Gangaram Pitroda

“Invent a New India Using Knowledge”



“ज्ञान एक ऐसा खजाना है जो कभी चुराया नहीं जा सकता है”

Bhartrhari—Nitiśatakam

“Knowledge is such a treasure which cannot be stolen”

BLANK PAGE



IS 13984 (Part 5/Sec 1) : 1995

भारतीय मानक

संपर्क और परीक्षण संयोजनों की विशिष्टि

भाग 5 डोरी प्लग

अनुभाग 1 ध्रुवित

Indian Standard

**LINK AND TEST CONNECTORS —
SPECIFICATION**

PART 5 CORD PLUG

Section 1 Polarized

UDC 621·316·542·12·029·42/·53 : 621·315·342

© BIS 1995

BUREAU OF INDIAN STANDARDS
MANAK BHAVAN, 9 BAHADUR SHAH ZAFAR MARG
NEW DELHI 110002

June 1995

Price Group 1

FOREWORD

This Indian Standard (Part 5/Sec1) was adopted by the Bureau of Indian Standards, after the draft finalized by the Connectors for Electronic Equipment Sectional Committee has been approved by the Electronics and Telecommunication Division Council.

This standard shall be read in conjunction with IS 13984 (Part 1): 1994.

While preparing this standard assistance has been derived from IEC Pub 130-12 (1976) Connectors for Frequencies Below 3 MHz : Part 12 Link and test connectors', issued by the International Electrotechnical Commission. The connectors covered in this standard is equivalent to 130-12 IEC — P101 type.

For the purpose of deciding whether a particular requirement of this standard is complied with, the final value, observed or calculated, expressing the result of a test or analysis, shall be rounded off in accordance with IS 2 : 1960 'Rules for rounding off numerical values (*revised*)'. The number of significant places retained in the rounded off value should be the same as that of the specified value in this standard.

Indian Standard**LINK AND TEST CONNECTORS —
SPECIFICATION****PART 5 CORD PLUG****Section 1 Polarized****1 SCOPE**

This Indian Standard (Part 5/Sec 1) lays down outline dimensions of Cord plug polarized.

2 REFERENCE

The following Indian Standard has been referred to this standard:

<i>IS No.</i>	<i>Title</i>
13984 (Part 1): 1994	Link and test connectors — Specification: Part 1 Test schedule and requirements

3 MATERIALS AND WORKMANSHIP

See 4 of IS 13984 (Part 1) : 1994.

4 TYPE DESIGNATION

The type designation according to 5 of IS 13984 (Part 1) : 1994 for this type of connector is as given below:

13984 IS-P101

5 OUTLINE AND DIMENSIONS

The outline and dimensions shall be according to Fig. 1 to 5 and Table 1.

6 GAUGES

See 7 of IS 13984 (Part 1) : 1994

7 RATED VALUES

Rated voltage : 250 V rms (not for mains)

Rated current : 8A

8 CLIMATIC CATEGORIES

Climatic category : 40/70/21

Temperature range : -40°C to
 $+70^{\circ}\text{C}$

Damp heat, steady : 21 days
state

Severity : **H12** (Number of
cycles = 2 and
Number of days = 21)

9 TESTS

Provisions of **10** of IS 13984 (Part 1) : 1994 shall be applicable.

10 MARKING

10.1 Each piece of connector shall be legibly and indelibly marked with the following:

- Type designation in accordance with the relevant specification;
- Manufacturer's name and trade-mark;
- Identification on contacts as indicated by the relevant specification;
- Any other mark as agreed to between the manufacturer and the customer; and
- Country of manufacturer.

10.2 BIS Certification Marking

The connector may also be marked with the Standard Mark.

10.2.1 The use of the Standard Mark is governed by the provisions of Bureau of Indian Standards Act, 1986 and the rules and regulations made thereunder. The details of conditions under which the licence for the use of Standard Mark may be granted to manufacturers or producers may be obtained from the Bureau of Indian Standards.

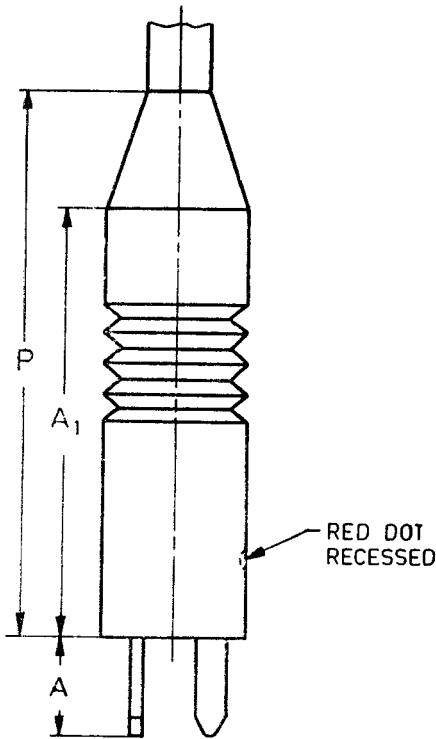


FIG. 1 DIMENSION A, A₁, P

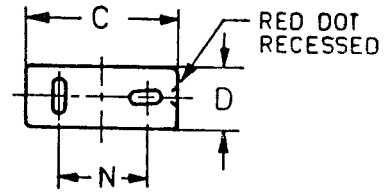


FIG. 2 DIMENSION N, C, D

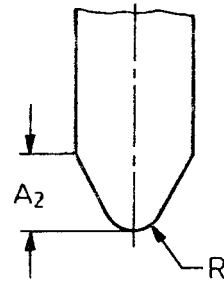


FIG. 3 DIMENSION A₂, R

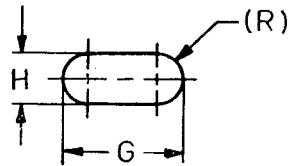


FIG. 4 DIMENSION H, G, R

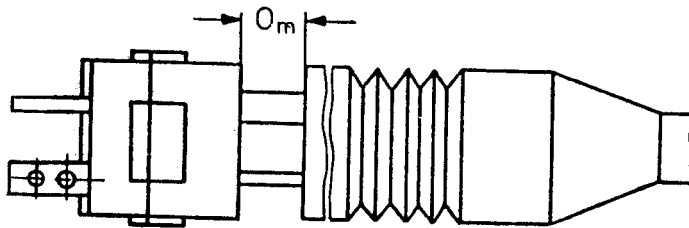


FIG. 5 PLUG ENGAGEMENT

DETAILS OF PINS

Reliable contact must be ensured within $O_m = 3 \text{ mm}$.

Table 1 Cord Plug Polarized
(Clause 5)

Reference	13984 IS-P101	
	Max mm	Min mm
A	6.3	5.7
A ₁	26	—
A ₂	1.25	0.75
C	9	—
D	3.5	—
G	1.95	1.9
H	0.8	0.75
N	5.18	4.98
P	33	—
R	—	0.4

Bureau of Indian Standards

BIS is a statutory institution established under the *Bureau of Indian Standards Act, 1986* to promote harmonious development of the activities of standardization, marking and quality certification of goods and attending to connected matters in the country.

Copyright

BIS has the copyright of all its publications. No part of these publications may be reproduced in any form without the prior permission in writing of BIS. This does not preclude the free use, in the course of implementing the standard, of necessary details, such as symbols and sizes, type or grade designations. Enquiries relating to copyright be addressed to the Director (Publications), BIS.

Review of Indian Standards

Amendments are issued to standards as the need arises on the basis of comments. Standards are also reviewed periodically; a standard along with amendments is reaffirmed when such review indicates that no changes are needed; if the review indicates that changes are needed, it is taken up for revision. Users of Indian Standards should ascertain that they are in possession of the latest amendments or edition.

This Indian Standard has been developed from Doc No: LTD 16 (1490).

Amendments Issued Since Publication

Amend No.	Date of Issue	Text Affected

BUREAU OF INDIAN STANDARDS

Headquarters:

Manak Bhavan, 9 Bahadur Shah Zafar Marg, New Delhi 110002
Telephones : 331 01 31, 331 13 75

Telegrams : Manaksanstha
(Common to all offices)

Regional Offices :

Telephone

Central : Manak Bhavan, 9 Bahadur Shah Zafar Marg
NEW DELHI 110002

{ 331 01 31
{ 331 13 75

Eastern : 1/14 C. I. T. Scheme VII M, V. I. P. Road, Maniktola
CALCUTTA 700054

{ 37 84 99, 37 85 61
{ 37 86 26, 37 86 62

Northern : SCO 335-336, Sector 34-A, CHANDIGARH 160022

{ 60 38 43
{ 60 20 25

Southern : C. I. T. Campus, IV Cross Road, MADRAS 600113.

{ 235 02 16, 235 04 42
{ 235 15 19, 235 23 15

Western : Manakalaya, E9 MIDC, Marol, Andheri (East)
BOMBAY 400093

{ 632 92 95, 632 78 58
{ 632 78 91, 632 78 92

Branches : AHMADABAD. BANGALORE. BHOPAL. BHUBANESHWAR.
COIMBATORE. FARIDABAD. GHAZIABAD. GUWAHATI. HYDERABAD.
JAIPUR. KANPUR. LUCKNOW. PATNA. THIRUVANANTHAPURAM.